



Dixon Automatic Tool

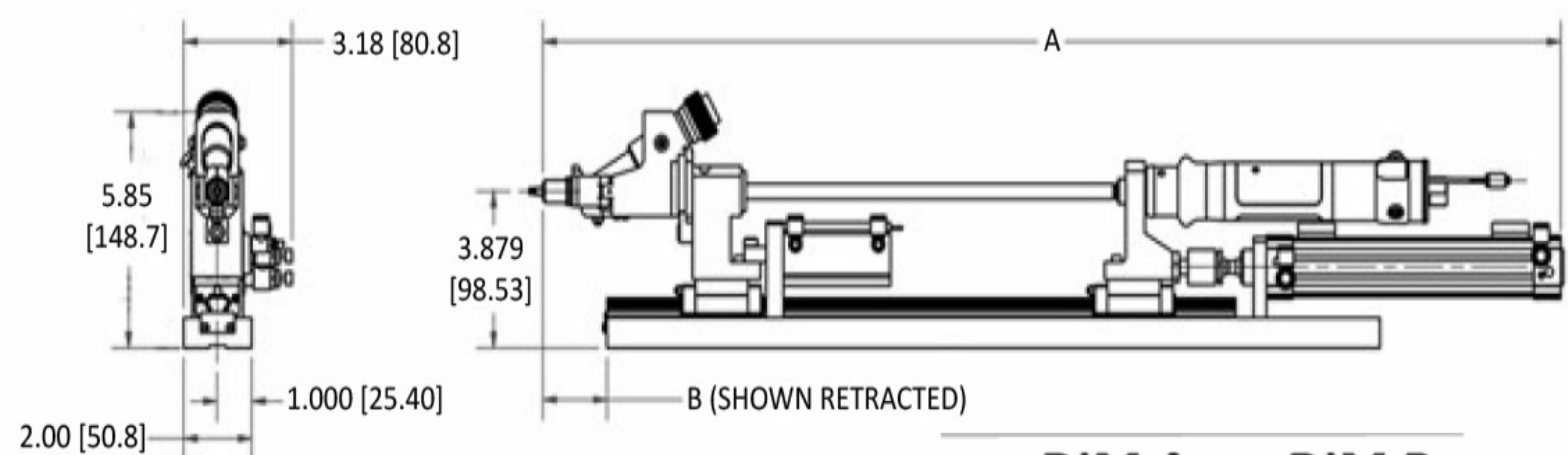
Robotics Blow-fed Screwdriver Model LS Blow-fed



A compact slim line screwdriver built on a rugged platform to provide outstanding performance and value. The screwdriver can be furnished with several types of drive motors both pneumatic and electrical with a choice of torque controllers. The placement jaws and feed tube attachment are tooled for the type of fastener's geometry to be driven. Fasteners can be driven to a predetermined torque setting or driven to a specific depth setting into a workpiece. The screwdriver is ideally suited for automated assembly systems.

Product Specifications

Fastening	Screwdriving
Torque	Up to 10 Nm 88.5 in. lbs
Jaw Tooling Head Stroke	25/50/70mm
Bit Stroke	100/150/180mm
Max. Head Diameter	15mm
Max. Shank Length	50mm
Motor Types	Air Motor with Clutch
Optional Motors	Servo Motor- Current Controlled DC Motor/ Transducer Controlled DC Motor (All Brands)
Applications	Single Station Pallet Transfer Lines Rotary Dial Machines Robot Mounted



	DIM A	DIM B
in	25.663	2.913
mm [651.84]	[73.99]	
in	30.040	1.890
mm [763.02]	[48.01]	
in	33.651	1.181
mm [854.74]	[30.00]	